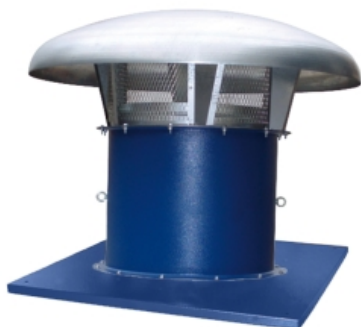


## KIT TM + HM 40 T4 0,25kW (A0:6) 35° (KTM40+26141260635P)

### GENERAL DATA



#### AXIAL WITH METALIC COWL

##### MANUFACTURING FEATURES:

- Roof cowl made of galvanizez steel.
- Roof base support and bird protection guard with polyester powder coat finishing.
- Assembled on HM fans.(tubular)
- Variable pitch angle Polypropylene impeller (A2 profile) or polyamide impeller reinforced with fibreglass (other profiles).
- Squirrel cage asynchronous standard motor, IP-55 protection and rated class F insulation. Standard voltages 230V 50Hz for single phase motors, 230/400V 50Hz and for three phase motors up to 4kW and 400/690V 50Hz for higher powers.

##### APPLICATIONS:

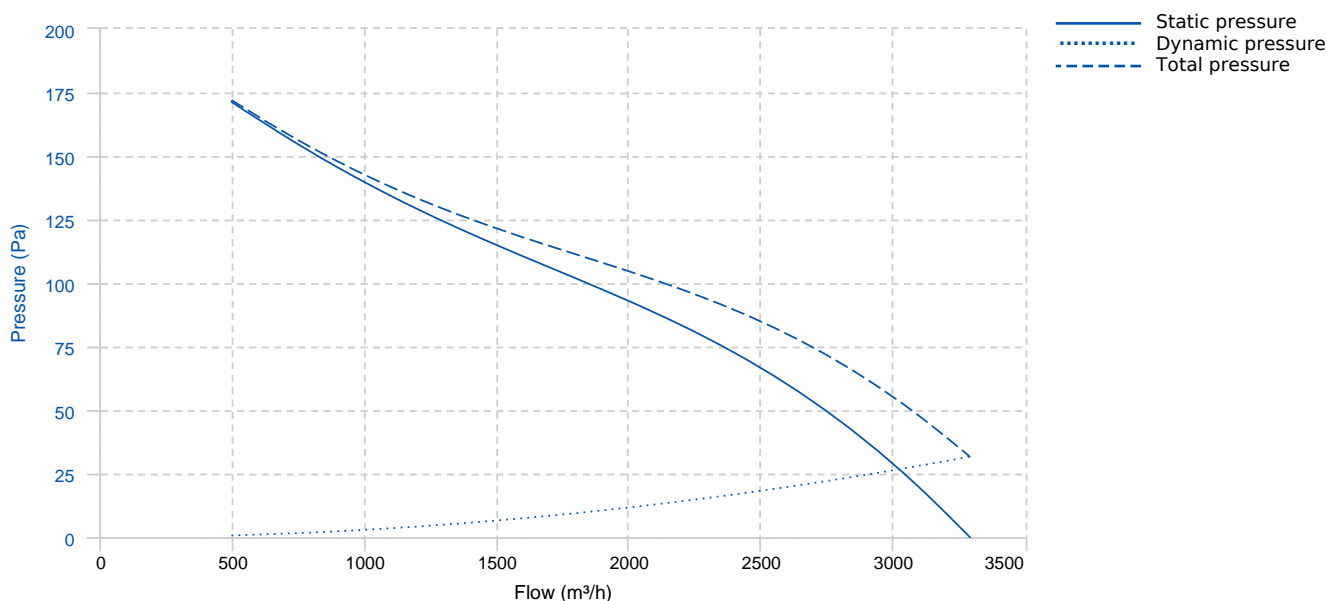
Specially designed for roof installation, they are suitable for:

- Air renewal in buildings and industries.
- Smoke extraction.
- Maximum working temperature: 1ph 50°C, 3ph 60°C.

##### AVAILABLE ON REQUEST

- B form impeller (air flow from impeller to motor)
- Reversible impeller 100%
- Cast aluminium impellers.
- 60Hz fans and special voltages.
- 2 speed motors.
- Hot dip galvanised and stainless steel housings.
- Reinforced fibreglass sheet cowl.

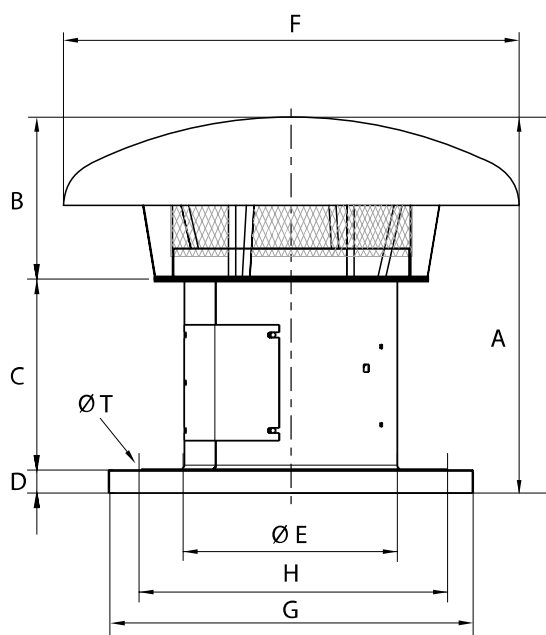
### PERFORMANCE CURVE



## TECHNICAL DATA

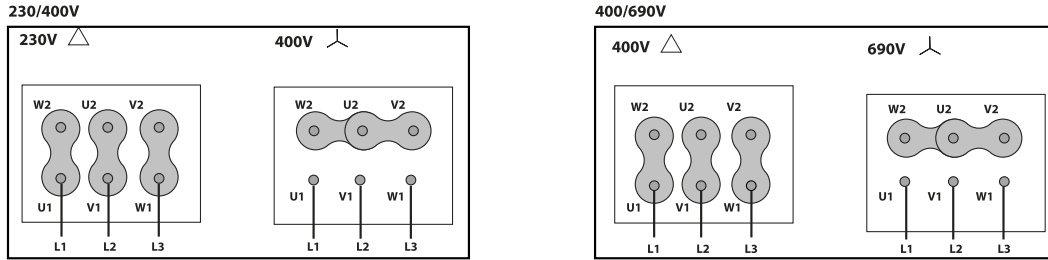
Fan							
RPM	1400	Approx. weight	20 kg	Max. Flow	3290 m <sup>3</sup> /h		
Motor							
Power	0,25 kW	RPM	1400	I max. (230V)	1,38 A	I max. (400V)	0,79 A
Size	71	Approx. weight	5.4 kg				

## DIMENSIONS



Dimensions (mm)									
A	805	B	325	C	440	D	40	E	403
F	790	G	630	H	535	T	12		

**WIRING DIAGRAM**



**ACCESSORIES**